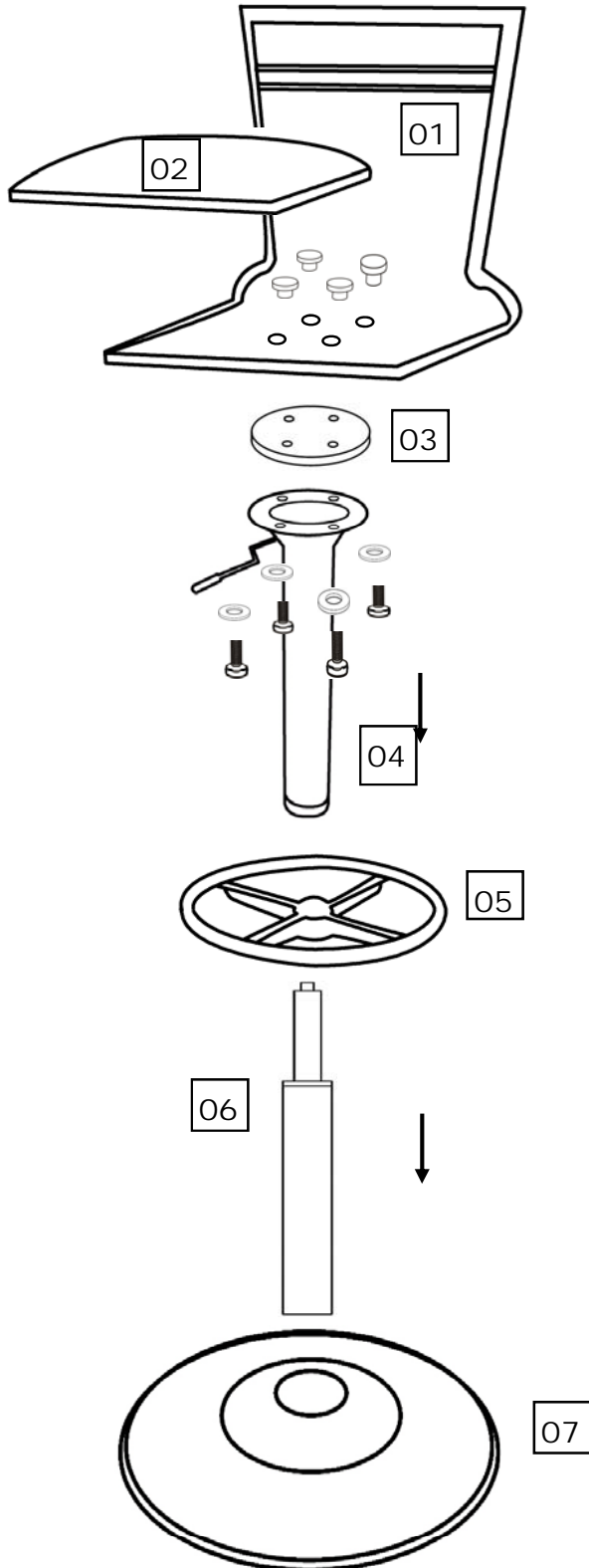







Assembly Instructions

COMPONENT PARTS



FITTINGS

- A  Nut x 4
- B  Metal washer x 4
- C  Screw M6*? x 4

COMPONENT CHECKLIST

PART	No.	Qty.	✓
Seat	01	1	<input type="checkbox"/>
Cushion	02	1	<input type="checkbox"/>
Deco Ring	03	1	<input type="checkbox"/>
Hole	04	1	<input type="checkbox"/>
Footrest	05	1	<input type="checkbox"/>
Gas Lift	06	1	<input type="checkbox"/>
Base	07	1	<input type="checkbox"/>



Allen key (supplied)