
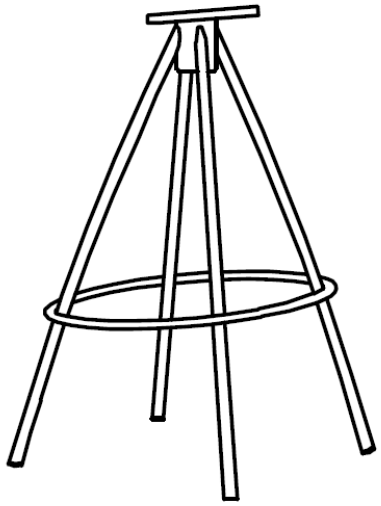





# MANUEL D'INSTALLATION *INSTALLATION MANUAL*

**prodig**

PRODUCT NAME:		<b>MACIS</b>	
PRODUCT CODE:		<b>PFIR002</b>	DATE 2010/04/12
ITEM	SPECIFICATIONS		Qty
A			1
B			1
C			3
D			3
E			1

